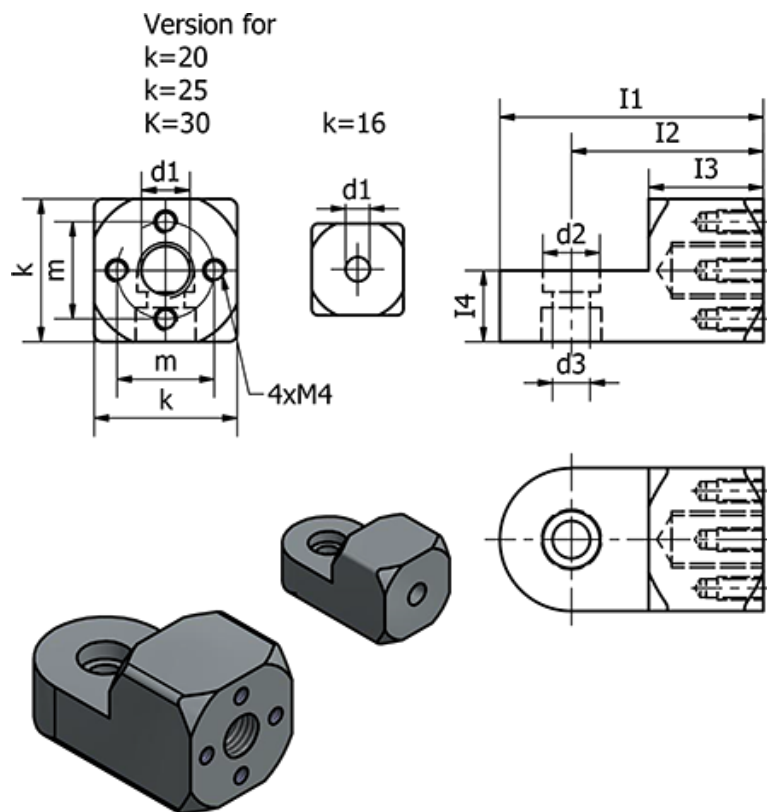


Article number: 20484M1025ELS  
 Description: E+G T-swivel mounting  
 GN 484-M10-25-ELS

## Measures



Clamping kit for  $d3$  Type K = GN 511.1-M6-25-K

Clamping kit for  $d3$  Type S = GN 511.1-M6-25-S

$d1$  = M10

$d2$  = 10

$d3$  = 6.5

$I1$  = 46

$I2$  = 33.5

$I3$  = 20

$I4$  = 12.5

$k$  = 25

$m$  = 17

Weight (g) = 46